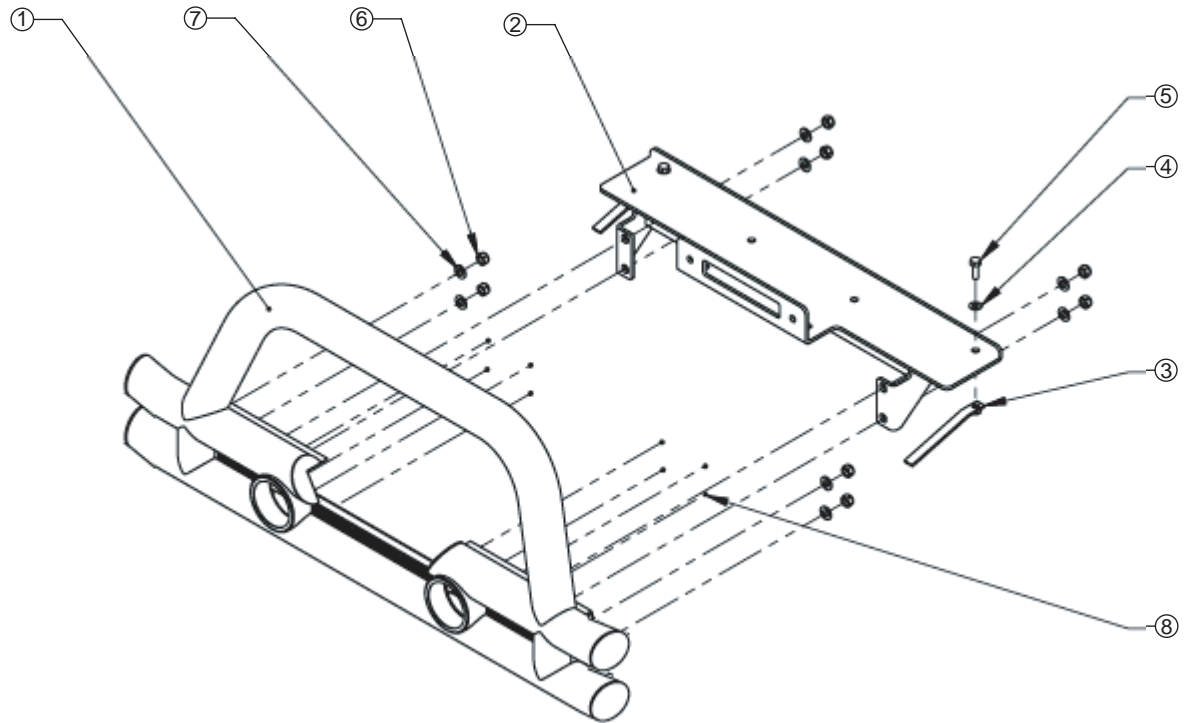


## Jeep® JK Wrangler Stubby Tube Front Bumper with Winch Plate

### Contents:

1. Tube Bumper (1)
2. Winch Plate (1)
3. Nut Plate (2)
4. M10 Washer (2)
5. M10 Bolt (2)
6. M12 Lock Nut (8)
7. M12 Washer (8)
8. M3 Lock Nut (8)



1. Disconnect fog lights. Remove 4 nuts per frame horn that hold the original front bumper to the vehicle. Remove original bumper.

2. Install the original fog lights into the Center Section from the back (Figure 2a). Use the (8) M3 lock nuts to secure them (Figure 2b).

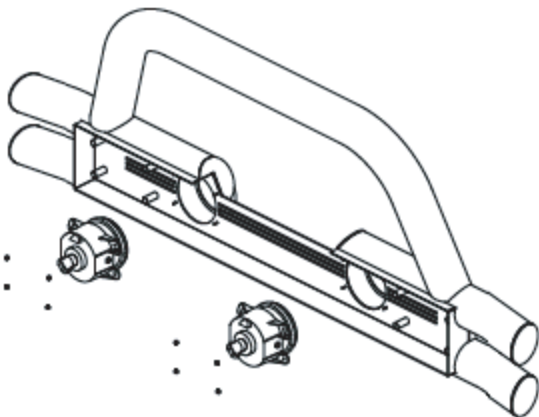


Figure 2a

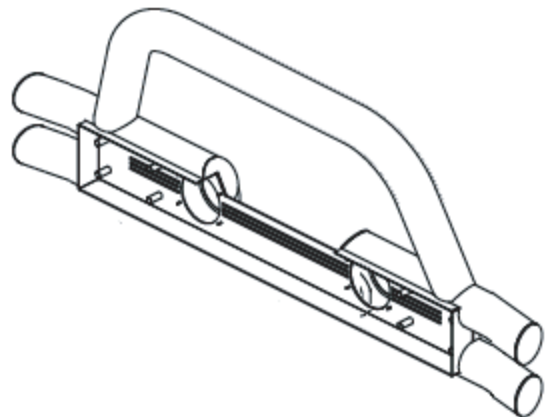


Figure 2b

3. Remove the grille from the Jeep®. This is done by removing the 6 plastic fasteners from across the top of the grille, removing the blinker bulbs from their housings by untwisting them, and then pulling the grill away from the vehicle from the bottom, which will release the push fasteners.

4. With the winch plate angled down (Figure 4a), maneuver it down on the frame rails such that the front holes go behind the mounting plates on the front of the frame rails, and the winch mounting portion lays on the frame rails. Once in position, insert the Nut plates into the end of the frame rail, using needle nose pliers to hold them, and install the 10mm bolts and washers (Figure 4b).

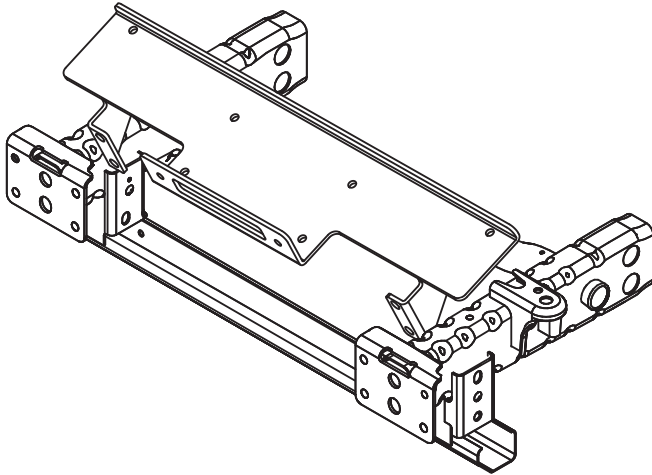


Figure 4a

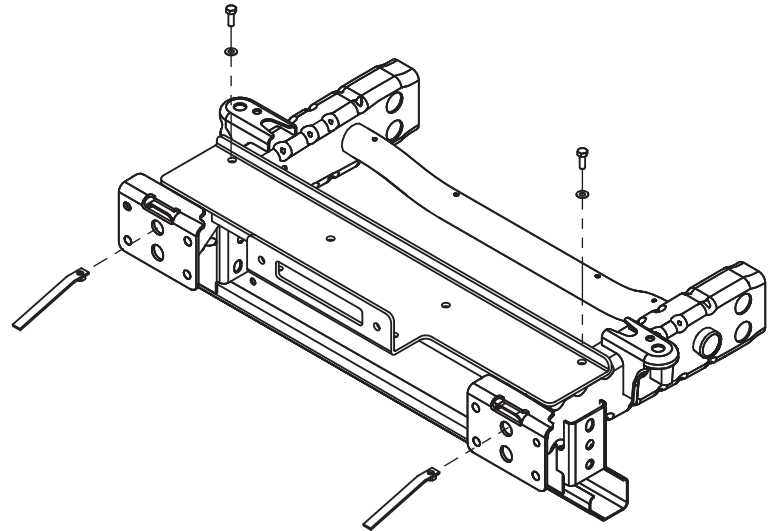
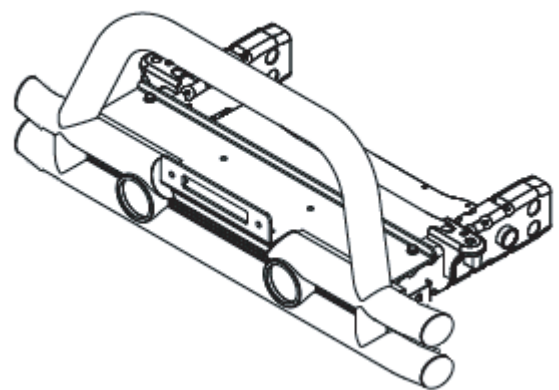
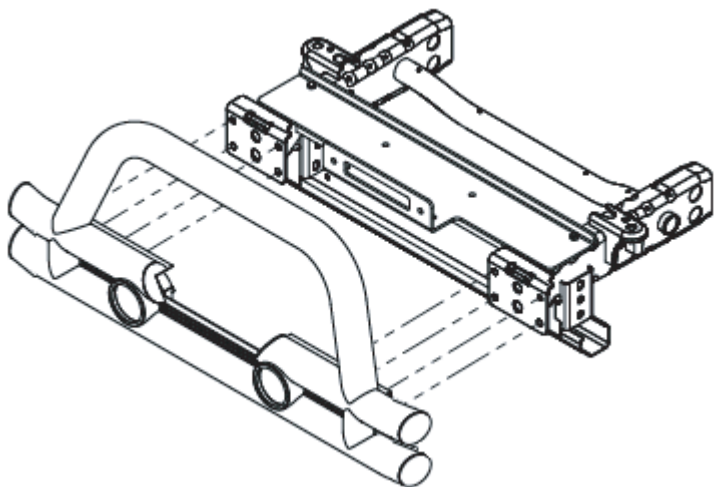


Figure 4b

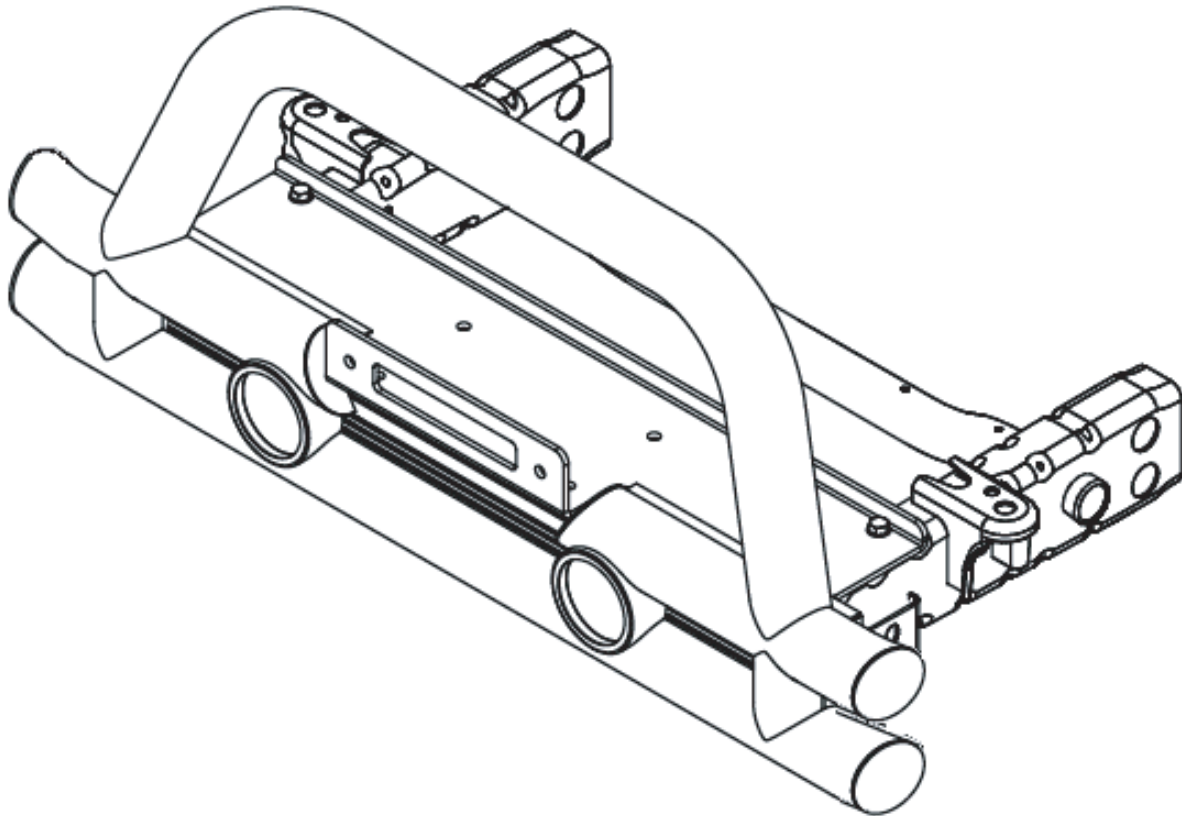
5. Install grille. Installation is the reverse of removal.

6. If winch is being used, install per manufacturer's instructions.

7. Position Tube Bumper with the 12mm studs facing the vehicle. These studs go through the 8 holes on the front of the frame rails. Place bumper onto vehicle and install 12mm washers and locknuts.



3. Tighten all hardware. Reconnect Fog Lights. Installation of the Bumper is now complete!



Note: This bumper is not intended to be used for off road vehicle recovery. Tow hooks must be used for recovery. Rugged Ridge tow hook part number 11236.03 has been designed for use with this bumper

Congratulations on the purchase and installation of a quality Rugged Ridge product!

**LIMITED 90 DAY WARRANTY**  
**Applies to Rugged Ridge by Omix-Ada Inc. Products**

Rugged Ridge Off Road (the Company) warrants to the original purchaser of this product that should the product or any part thereof, under normal use and conditions, be proven defective in material or workmanship within 90 DAYS from the date of original purchase, such defect(s) will be repaired or replaced or credited at the Company's sole option.

To obtain repair or replacement within the terms of this Warranty, the product is to be delivered with proof of warranty coverage (e.g. Dated bill of sale), specification of defect(s) to the place of purchase or, with prior approval from the Company (Return Authorization Number is required), freight pre-paid to the Company address listed below.

This warranty does not apply to any product or part thereof which, in the opinion of the Company, has suffered or been damaged through alteration, improper installation, mishandling, misuse, neglect, accident or by acts of nature. THE EXTENT OF THE COMPANY'S LIABILITY UNDER THIS WARRANTY IS LIMITED TO THE REPAIR OR REPLACEMENT PROVIDED ABOVE AND, IN NO EVENT, SHALL THE COMPANY'S LIABILITY EXCEED THE PURCHASE PRICE PAID BY PURCHASER FOR THE PRODUCT.

This Warranty is in lieu of all express warranties or liabilities. ANY IMPLIED WARRANTIES, INCLUDING ANY IMPLIED WARRANTY OF MERCHANTABILITY, SHALL BE LIMITED TO THE DURATION OF THIS WRITTEN WARRANTY. ANY ACTION FOR BREACH OF ANY WARRANTY HEREUNDER INCLUDING ANY IMPLIED WARRANTY OF MERCHANTABILITY MUST BE BROUGHT WITHIN THE PERIOD OF 90 DAYS FROM DATE OF ORIGINAL PURCHASE.

IN NO CASE SHALL THE COMPANY BE LIABLE FOR ANY CONSEQUENTIAL OR INCIDENTAL DAMAGES FOR BREACH OF THIS OR ANY OTHER WARRANTY, EXPRESS OR IMPLIED, WHATSOEVER. No person or representative is authorized to assume for the Company any liability other than expressed herein in connection with the sale of this product.

Some States do not allow limitations on how long an implied warranty lasts or the exclusion or limitation of incidental or consequential damage, so the above limitations may not apply to you. This warranty gives you specific legal rights and you may also have other rights, which vary from state to state.

Omix-Ada Inc.  
460 Horizon Dr. Suite 400  
Suwanee, Georgia 30024