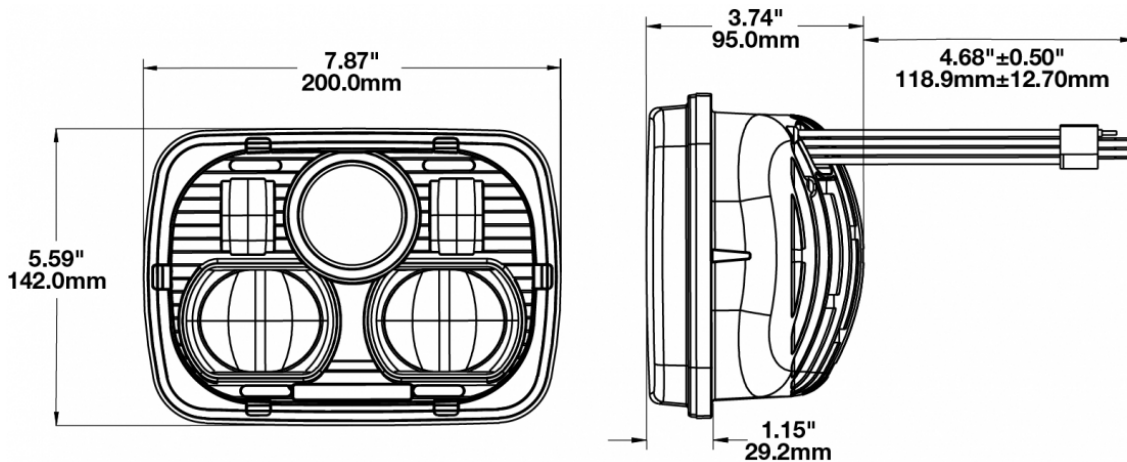




PRODUCT INFORMATION

Description	12-24V ECE LED LHT High & Low Beam Headlight with Black Inner Bezel
Height	141.99 (mm) / 5.59 (in)
Width	199.90 (mm) / 7.87 (in)
Depth	95.00 (mm) / 3.74 (in)
Shape	Rectangular
Outer Lens Material	Polycarbonate
Outer Lens Color	Clear
Housing Material	Aluminum
Housing Color	Gray
Bezel Color	Black
Retrofits	2B1 5" X 7" headlights
Minimum Operating Temperature	-40 (°C) / -40 (°F)
Maximum Operating Temperature	65 (°C) / 149 (°F)
Connector or Wiring	H4
Mating Connector	H4 AMP#172615-2
Product Weight	2.67 (lbs) / 1.21 (kgs)

PRODUCT DIMENSIONS



ELECTRICAL SPECIFICATIONS

Input Voltage	12-24 V DC
Operating Voltage	9-32 V DC
Black Wire	Ground
Yellow Wire	Low Beam
White Wire	High Beam
Red Wire	Front Position
Current Draw	2.60A @ 12V DC (High Beam) 2.20A @ 12V DC (Low Beam) 0.20A @ 12V DC (Front Position) 1.23A @ 24V DC (High Beam) 2.2A @ 24V DC (Low Beam) 0.11A @ 24V DC (Front Position)

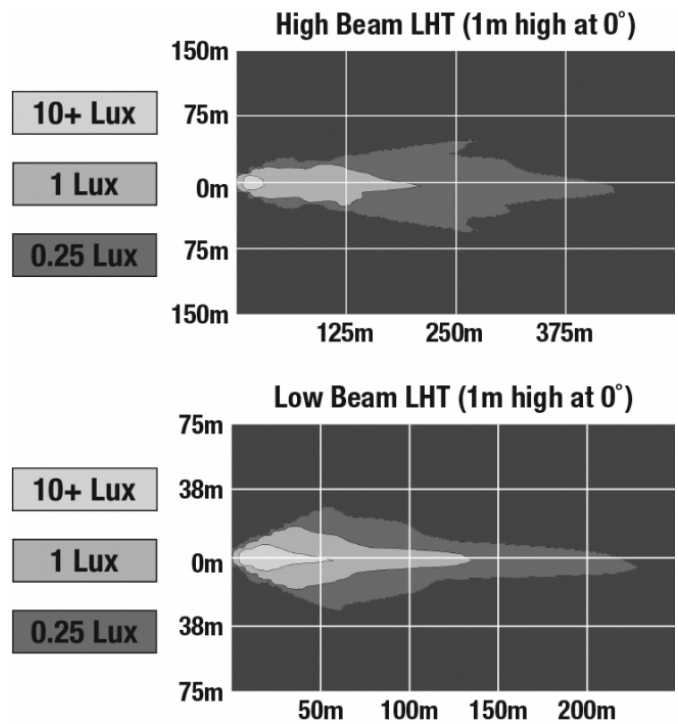
REGULATORY STANDARDS COMPLIANCE



Buy America Standards	ECE Reg 112
ECE Reg 7	Eco Friendly
IEC IP67	

PHOTOMETRIC SPECIFICATIONS

Raw Lumen Output	1,770 (High Beam); 1,350 (Low Beam)
Effective Lumen Output	850 (High Beam); 650 (Low Beam)
Candela Output	54,924 (High Beam); 40,492 (Low Beam)
Nominal LED Color Temperature	5000 (K)
Beam Pattern(s)	Forward Lighting - High Beam (DOT/ECE) Forward Lighting - Low Beam (ECE Left Hand) Signalization - Front Position



APPLICATIONS



ACCESSORIES



[Part Number 3157041](#)

**5x7 Housing Assembly
for 8900 Evolution Series
Headlights**

RELATED PRODUCTS



[Part Number 0550071](#)

12-24V DOT LED High & Low Beam Headlight with Chrome Inner Bezel



[Part Number 0550081](#)

12-24V ECE LED LHT High & Low Beam Headlight with Chrome Inner Bezel



[Part Number 0550091](#)

12-24V ECE LED RHT High & Low Beam Headlight with Chrome Inner Bezel



[Part Number 0550111](#)

12-24V DOT LED High & Low Beam Headlight with Black Inner Bezel



[Part Number 0550131](#)

12-24V ECE LED RHT High & Low Beam Headlight with Black Inner Bezel